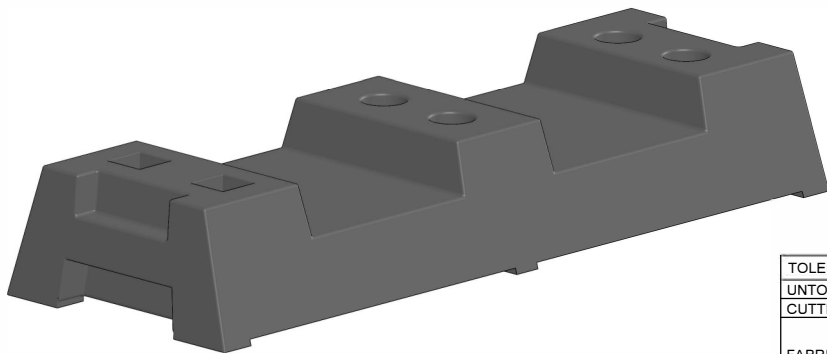
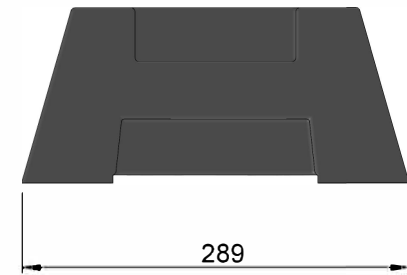
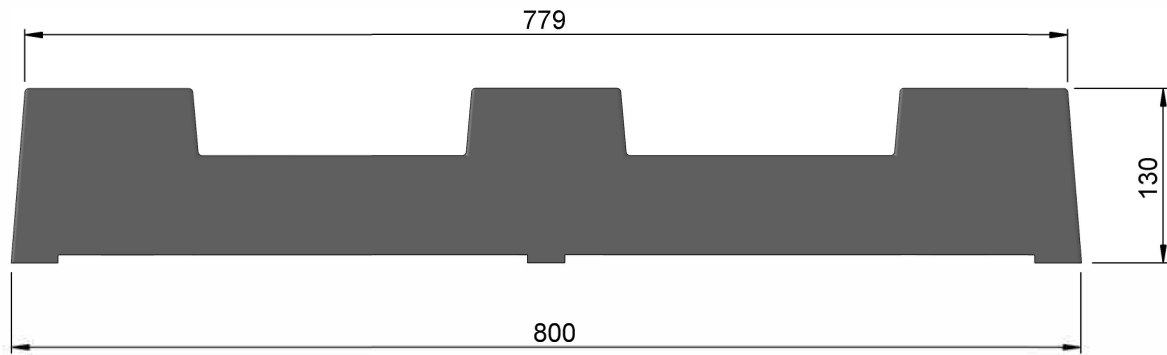
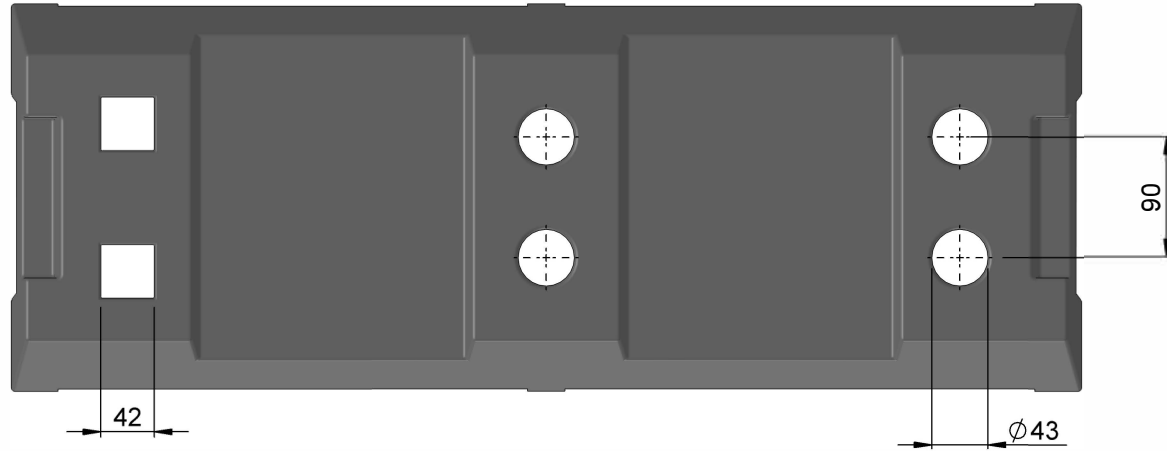


ALL DIMENSIONS IN MILLIMETRES
REMOVE ALL SHARP EDGES

20008
THIRD ANGLE PROJECTION
DO NOT SCALE DRAWING



0	20/3/17	ISSUED FOR MANUFACTURE	GC		
P1	24/12/16	ISSUED FOR APPROVAL	GC		
REV	DATE	DESCRIPTION	DRN	CHKD	APPR

TOLERANCES - UNLESS STATED OTHERWISE		
UNTOLERANCED DIMENSIONS	+/- 2mm	
CUTTING LENGTHS	+/- 2mm	
FABRICATION	UP TO 300mm	+/- 1mm
	UP TO 1000mm	+/- 2mm
	1001mm & ABOVE	+/- 3mm
	ANGULAR	+/- 1°
MACHINING	+/- 0.2mm	
GAUGE	+/- 10%	
WEIGHT	+/- 10% (DUE TO MATERIAL PROPERTIES & TOLERANCES)	

TITLE: THERMO-PLASTIC FOOT GREY DE			
NAME	SIGNATURE	DATE	MATERIAL:
DRAWN G. CRICK		24/12/16	RECYCLED PLASTIC
CHK'D			
FINISH: NONE			

THE COMPANY RETAIN THE RIGHT TO PERIODICALLY ALTER INFORMATION WITHIN THIS DRAWING SHEET AND WILL ATTEMPT TO NOTIFY ALL PARTIES CONCERNED OF ANY CHANGES AND THE INFORMATION ON THIS SHEET SHOULD NOT BE REPRODUCED WITHOUT THEIR WRITTEN CONSENT.

Drw / Stockcode No.	Revision
12551050	0