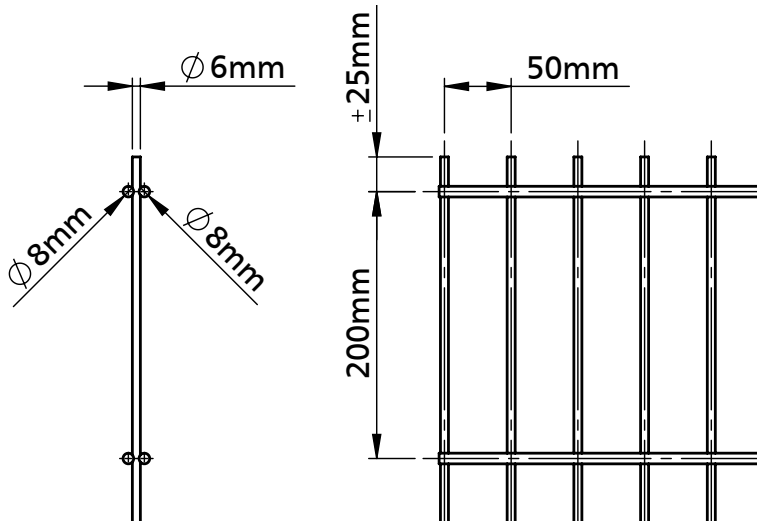


PANELS

DUOFENCE 8/6/8

MESH SIZE 50 X 200 MM

DIMENSIONS



SURFACE TREATMENTS

- Self-colour
- Galfan (zinc/alu) wire + polyester powder coating
- Hot-dip galvanised according to EN ISO 1461
- Hot-dip galvanised according to EN ISO 1461 with polyester powder coating
- Standard colours: RAL 6005, 6009, 7016 & 9005

WEIGHT TABLE

Height	Pre-galve + coated	HDG	HDG + coated
630 mm	13,2 kg	13,6 kg	13,7 kg
830 mm	17 kg	17,4 kg	17,6 kg
1030 mm	20,7 kg	21,2 kg	21,5 kg
1230 mm	24,4 kg	25 kg	25,3 kg
1430 mm	28,1 kg	28,8 kg	29,2 kg
1630 mm	31,9 kg	32,6 kg	33,1 kg
1830 mm	35,6 kg	36,4 kg	36,9 kg
2030 mm	39,3 kg	40,2 kg	40,8 kg
2230 mm	43 kg	44 kg	44,7 kg
2430 mm	46,8 kg	47,9 kg	48,5 kg

Other dimensions, mesh sizes and colours available upon request.

APPLICATIONS

- Schools
- Housing
- Public places
- Industry
- Sport fields

SECURITY LEVEL 7



TECHNICAL SPECIFICATIONS

- Horizontal wires: 2 x \varnothing 8 mm (2 x 0 GA)
- Vertical wires: 1 x \varnothing 6 mm (1 x 4 GA)
- Width: 2.508 mm (8' 2")
- Height: see weight table
- Mesh size: 50 x 200 mm (2" x 8")



#alfafence